

# JOSCO

TRUSTED BY INDUSTRY SINCE 1977

## BRUSH CATALOGUE





# Contents

---

Brush Innovation .....	
Operating Instructions .....	
Technical Information .....	
Wheel Brushes .....	1.0
Pipeline Brushes .....	2.0
Bevel Brushes .....	3.0
Cup Brushes .....	4.0
Spindle Mounted Brushes .....	5.0
Hand Brushes .....	6.0
Tube Brushes .....	7.0
Boot Cleaners .....	8.0
Ordering Information .....	
Brush Diagrams & Recommendations .....	

# Brush Innovation

The Josco Brush Catalogue includes a number of new and improved products and features to ensure that our brushes last longer and perform better for our customers.

## Wheel Brushes Increased Wire Density

Many new additions have been made to Josco's range of Crimped Wire Wheel Brushes.

You will find a more sizes and widths than ever before - all with increased wire density which will help to make your brush perform better and last longer.



## New Wire Types

New wire types include the Extra Tough Brass Coated TC Wire for long life aggression and heavy duty brushing applications.

To see all of our featured wire types and a full selection guide to find what best suits your application, please take a look at our Technical Information section.



## New High Speed Wheel Brush Range Spindle-Mounted

The 230 series of decarbonising spindle-mounted wheel brushes are now high speed rated and are ideal for decarbonising in automotive applications.



## Improved Drive Mechanism Hex Drive

Take a look at our new and improved crimped and twistknot cup brushes, constructed with a hex drive.



## Wider Range

The Josco Brush Catalogue features a much wider range including new twistknot wheel brushes, spindle-mounted end and cup brushes, as well as hand brushes.



## New Wire Colour Coding System

Red Powder Coating = Steel Wire  
Green Powder Coating = Stainless Steel Wire  
Orange Powder Coating = Brass Wire



# Operating Instructions

## Rotation Speed

Under working conditions, the centrifugal force built up by a revolving brush is quite high. The wires or materials used in the brush become considerably stiffer at the working face, and the cutting or abrasive action of the brush is greatly increased. It follows that, as the speed increases, so the cutting action is faster. At the same time, harsh action is increased, and therefore light gauge wires often give better results at high speeds than coarse wires running slowly.

## Work Holder or Fixtures

Automatic fixtures are now quite commonly made and used in connection with standard brushing operations, and it is a fact that under some conditions, much better results are achieved when the work to be brushed is held either in a small hand-held fixture or in an automatic fixture. Where extreme uniformity of finish is required, roller or controlled feed of the material to the brush is most effective.

## Pressure Needed When Applying Work to Brush

For cleaning, roughing, and de-burring at high speeds, use light pressure. For finishing, polishing and brushing at low speeds with wire, sufficient pressure may be needed to bring the sides of the wire in contact with the work.

## Brush Wear

To achieve the longest life out of the brush, it is recommended that the rotation should be reversed from time to time. When rotating in one direction only, the cutting edge of the wires become dulled, and by reversing the brush, better cutting action is noticed.

## Safety

For the safest operating conditions, operators and those standing in close vicinity of the operator and workpiece should wear goggles and protective clothing.

## Special Brushes

Our standard lines of power brushes meet most requirements, but nevertheless, we do appreciate the need for special types. If you have these special requirements, we shall always be pleased to co-operate with you in making a product or suggesting a method.

## Testing on the job

A brush should always be tested on the job to secure the best results. It is recommended that you do a test patch on your work piece (preferably on a spot that is not easily visible) to see if the brush is right for your project.

## Brushing Recommendations

If you have any brushing problems, you may wish to write to us at [customerservice@josco.com.au](mailto:customerservice@josco.com.au) for advice on the best brush for your job. To enable us to tackle your problem efficiently, please provide the following details:

- A description of the article you wish to brush – the size, shape and material, with material if possible, a sample of the part to be brushed.
- A description of the work to be done and the surface of the finish required.
- The horsepower available.
- Maximum speed of your equipment.
- Arbor hole or shaft size of your equipment.
- The maximum diameter of brush which can be mounted on your machine.

**For further brushing recommendations and technical information on brush types, please skip to the end of the catalogue.**

# Technical Information

## Wire Type Key

Wire Type	Description
Crimped HD	Suitable for light surface treatment and flexible brushing and deburring applications.
Twistknot HD	A standard twistknot wire used for heavy duty brushing applications.
XHD	Twistknot XHD wire is a premium tenacious wire providing a faster, more aggressive cut together with longer life. Provides increased durability and is better suited to extreme brushing requirements.
TNC	Straight and single crimp tin coated wire suited to deburring and decarbonising.
TNCE	Straight and single crimp tin coated wire suited to deburring and decarbonising with a TNC encapsulated elastomer to prevent wire breakage.
BC Steel Wire	Crimped brass coated steel wire provides high tensile strength and cutting performance and is used for demanding brushing and deburring applications.
BCTC	Brass coated tyre cord steel wire provides long life aggression and is used for heavy duty brush applications.
316SS	Premium stainless steel wire ideal for Australian conditions. Increased resistance to corrosion in marine environments. Used for brushing stainless steel and aluminium.
302SS/304SS	Lower grade than 316SS. Use on 302/304 stainless steel in non-marine environments.
Brass	Ideal for surface finishing on copper and brass. Non-sparking.
Abrasive Nylon	Abrasive impregnated nylon filament for corrosion and paint removal on a wide range of materials.

## Fill Selection Guide

Fill	Application Surface							
	Steel	Stainless Steel	Brass	Aluminium	Copper	Iron	Plastic	Wood
<b>Crimped HD</b>	BC	NR	SC	NR	NR	BC	SC	SC
<b>Twistknot HD</b>	BC	NR	SC	NR	NR	BC	SC	SC
<b>Twistknot XHD</b>	BC	NR	SC	NR	NR	BC	SC	SC
<b>TNC</b>	BC	NR	SC	NR	NR	BC	SC	SC
<b>TNCE</b>	BC	NR	SC	NR	NR	BC	SC	SC
<b>BCHD</b>	BC	NR	SC	NR	NR	BC	SC	SC
<b>BCTC</b>	BC	NR	SC	NR	NR	BC	SC	SC
<b>SS 316</b>	NR	BC	SC	BC	NR	NR	SC	SC
<b>SS 302/304</b>	NR	SC	SC	BC	NR	NR	SC	SC
<b>Brass</b>	SC	SC	BC	SC	BC	SC	SC	SC
<b>Abrasive Nylon</b>	SC	SC	NR	SC	SC	SC	BC	BC

### Fill Selection Guide Key

BC	Best combination
SC	Suitable combination
NR	Not recommended



# Technical Information

## Bore and Thread Key:

Type	Description
<b>MB</b>	Multibore (Fits 12mm, 1/2", 16mm, 5/8", 3/4" and 7/8")
<b>MT</b>	Multithread (M10 and M14)
<b>M10</b>	Suits 100mm Angle Grinders
<b>M14</b>	Suits most other 115mm to 230mm Angle Grinders
<b>5/8W</b>	5/8 Whitworth

## Wire Gauge Conversion Chart

Wire gauge is a unit of measure that denotes the diameter of wire, either in diameter or a cross-sectional area.

Standard Wire Gauge (S.W.G)	Diameter
22	0.80mm
26	0.50mm
30	0.35mm

## Packaging Types



Clamshell



Box

## Product Accessories



Multibore Reducing Bush



Multi-thread (MT) Adaptor

# Wheel Brushes

## Crimped Wheel Brushes



Josco Wheel Brushes with crimped wire are suitable for bench grinders. Crimped wire construction allows for softer brushing and light paint and rust removal.



Part No.	Dia.	Width	Bore	Wire Size	Material	Max. RPM	Inner QTY	Outer QTY	Pack Type
99A	75	16	13	0.30	HD Steel Wire	8,000	2	10	Clamshell
852508	85	25	8	0.30	HD Steel Wire	3,000	10	10	Box
851313	85	13	12.7	0.30	HD Steel Wire	3,000	10	10	Box
100A	100	12	MB	0.30	HD Steel Wire	6,000	2	10	Clamshell
100B	100	19	MB	0.30	HD Steel Wire	6,000	2	10	Clamshell
100	100	25	MB	0.30	HD Steel Wire	6,000	2	10	Clamshell
101B	125	19	MB	0.35	HD Steel Wire	6,000	2	10	Clamshell
101	125	25	MB	0.35	HD Steel Wire	6,000	2	10	Clamshell
102A	150	12	MB	0.35	HD Steel Wire	6,000	2	10	Clamshell
102B	150	19	MB	0.35	HD Steel Wire	6,000	2	10	Clamshell
102BSS	150	19	MB	0.35	316 Stainless	6,000	2	2	Clamshell
102BBR	150	19	MB	0.30	Brass Wire	6,000	2	2	Box
102	150	25	MB	0.35	HD Steel Wire	6,000	2	10	Clamshell
102SS	150	25	MB	0.35	316 Stainless	6,000	2	10	Clamshell
103A	200	19	MB	0.35	HD Steel Wire	4,600	5	10	Clamshell
103ASS	200	19	MB	0.30	316 Stainless	4,600	2	2	Clamshell
103ABR	200	19	MB	0.30	Brass Wire	4,600	5	5	Box
103	200	28	MB	0.35	HD Steel Wire	4,600	5	10	Clamshell
103SS	200	28	MB	0.30	316 Stainless	4,600	2	2	Box
103B	200	38	MB	0.35	HD Steel Wire	4,600	5	10	Box
103C	200	50	MB	0.35	HD Steel Wire	4,600	5	10	Box
104	250	25	25.4	0.35	HD Steel Wire	3,600	5	5	Box
104A	250	19	25.4	0.35	HD Steel Wire	3,600	2	2	Box
104B	250	38	25.4	0.35	HD Steel Wire	3,600	2	2	Box
104C	250	50	25.4	0.35	HD Steel Wire	3,600	2	2	Box
105	300	25	31.8	0.35	HD Steel Wire	3,000	2	2	Box
105A	300	38	31.8	0.35	HD Steel Wire	3,000	2	2	Box
105B	300	50	31.8	0.35	HD Steel Wire	3,000	2	2	Box

Note: All diameter, width, bore and wire measurements shown are in millimetres (mm).



# Wheel Brushes

## Twistknot Wheel Brushes

Josco Wheel Brushes with twistknot wire are ideal for hard, aggressive brushing and contaminant removal. Great for scale, rust and paint removal.



JTW100M



172B



173B



Multibore (MB)  
Reducing Bush



Multi-thread  
(MT) Adaptor

Part No.	Dia.	Width	Row	Knots	Wire Size	Material	Bore	Max. RPM	Inner QTY	Outer QTY	Pack Type
171	100	12	1	20	0.35	XHD Steel	MB	12,000	2	20	Clamshell
171B	100	12	1	20	0.50	XHD Steel	MB	12,000	2	20	Clamshell
171BSS	100	12	1	20	0.50	316 Stainless	MB	12,000	2	20	Clamshell
171C	100	36	3	20	0.50	XHD Steel	16	12,000	2	20	Box
JTW100M	100	12	1	20	0.50	XHD Steel	MT	12,500	5	20	Clamshell
JTW115	115	12	1	20	0.50	XHD Steel	22.2	12,500	2	10	Box
JTW115SS	115	12	1	20	0.50	316 Stainless	22.2	12,500	2	10	Box
JTW125	125	13	1	30	0.50	XHD Steel	22.2	12,000	2	10	Box
JTW125SS	125	13	1	30	0.50	316 Stainless	22.2	12,000	2	10	Box
JTW1253	125	13	1	30	0.50	XHD Steel	M14	12,500	2	20	Clamshell
172	150	13	1	30	0.35	XHD Steel	MB	9,000	2	10	Box
172B	150	13	1	30	0.50	XHD Steel	MB	9,000	2	10	Box
172BSS	150	13	1	30	0.50	316 Stainless	MB	9,000	1	5	Box
172A	150	26	2	30	0.35	XHD Steel	MB	9,000	10	10	Box
172C	150	25	2	30	0.50	XHD Steel	MB	9,000	10	10	Box
JTW1503	150	13	1	30	0.50	XHD Steel	M14	9,000	2	10	Clamshell
173	200	13	1	30	0.35	XHD Steel	MB	6,000	5	5	Box
173B	200	13	1	30	0.50	XHD Steel	MB	6,000	5	5	Box
173A	200	26	2	30	0.35	XHD Steel	MB	6,000	5	5	Box
173C	200	26	2	30	0.50	XHD Steel	MB	6,000	5	5	Box

Note: All diameter, width, bore and wire measurements shown are in millimetres (mm).

# Pipeline Brushes



## Twistknot Pipeline Wheel Brushes

Josco Tight Twistknot Wire Brushes are used in areas such as stringer bead welds, hot pass, double jointing and bevel cleaning. Josco also carry brushes for pipe coating removal, machine cleaning etc. Contact Josco for specialist assistance.



5828



582840



582840T



JS8020

Part No.	Dia.	Width	Rows	Knots	Wire Size	Material	Bore	Max. RPM	Inner QTY	Outer QTY	Pack Type
JS9008	100	6	1	20	0.35	316 Stainless	16	12,000	2	10	Box
5828	125	6	1	30	0.50	XHD Steel	22	12,000	5	20	Box
5828T	125	6	1	30	0.50	XHD Steel	M14	12,000	5	20	Box
582840	125	6	1	40	0.50	XHD Steel	22	12,000	5	20	Box
582840T	125	6	1	40	0.50	XHD Steel	M14	12,000	5	20	Box
5828SS	125	6	1	30	0.50	316 Stainless	22	12,000	5	20	Box
5828SS304	125	6	1	30	0.50	304 Stainless	22	12,000	5	20	Box
5828TSS	125	6	1	30	0.50	316 Stainless	M14	12,000	5	20	Box
4009	150	6	1	30	0.80	XHD Steel	22	9,000	2	10	Box
JS8020	178	6	1	60	0.50	XHD Steel	22	9,000	2	10	Box
JS80203	178	6	1	60	0.50	XHD Steel	M14	9,000	2	10	Box
JS8021	178	6	1	76	0.50	XHD Steel	22	9,000	2	10	Box
JS80323	178	8	1	36	0.50	XHD Steel	M14	9,000	2	10	Box
JS8033	178	8	1	36	0.80	XHD Steel	M14	9,000	2	10	Box

Note: All diameter, width, bore and wire measurements shown are in millimetres (mm).

# Bevel Brushes

## Crimped Bevel Brushes



Josco Bevel Brushes are designed specifically for brushing in 'hard-to-reach' workpiece areas. The bevel design allows the brush to be operated either as a flat brush or a "wheel" brush.



JCB100TC



JCB100SS

Part No.	Dia.	Width	Wire Size	Thread	Material	Max. RPM	Inner QTY	Outer QTY	Pack Type
JCB100TC	100	20	0.30	MT	BCTC Wire	12,500	3	30	Clamshell
JCB100SS	100	20	0.30	MT	316 Stainless	12,500	3	30	Clamshell

## Twistknot Bevel Brushes



Josco Bevel Brushes are designed specifically for brushing in 'hard-to-reach' areas of your work piece. Twistknot wire is ideal for hard, aggressive brushing and contaminant removal including scale, rust, paint and corrosion.



TB100M



TB100MSS



TB115-3



TB125-3



Multi-thread (MT) Adaptor

Part No.	Dia.	Width	Wire Size	Thread	Material	Max. RPM	Inner QTY	Outer QTY	Pack Type
TB100M	100	13	0.50	MT	XHD Steel	12,000	5	30	Clamshell
TB100MSS	100	13	0.50	MT	316 Stainless	12,000	5	5	Clamshell
TB1153	115	15	0.50	M14	XHD Steel	12,000	2	20	Clamshell
TB1153SS	115	15	0.50	M14	316 Stainless	12,000	5	5	Clamshell
TB1253	125	15	0.50	M14	XHD Steel	12,000	5	5	Clamshell
TB1503	150	15	0.50	M14	XHD Steel	9,000	5	5	Clamshell

Note: All diameter, width and wire measurements shown are in millimetres (mm).



TB100MSS



TB125-3

# Cup Brushes

## Crimped Cup Brushes

Josco Cup Brushes are available with threaded bore or spindle (please see section 5.0). The crimped wire design allows for less aggressive brushing and contaminant removal.



Part No.	Dia.	Wire Size	Thread	Material	Max. RPM	Inner QTY	Outer QTY	Pack Type
153M	75	0.30	MT	HD Steel	12,000	3	30	Clamshell
153MSS	75	0.30	MT	316 Stainless	12,000	3	30	Clamshell
153MBR	75	0.30	MT	Brass	12,000	3	30	Clamshell
153TCM	75	TC	MT	BCTC	12,000	2	10	Clamshell
1543	100	0.30	M14	HD Steel	6,000	2	10	Clamshell
1543SS	100	0.30	M14	316 Stainless	6,000	2	2	Box
1544SS	100	0.30	5/8W	316 Stainless	6,000	2	2	Box
1543BR	100	0.30	M14	Brass	6,000	2	2	Box
1553	125	0.30	M14	HD Steel	6,000	4	4	Box
1554	125	0.30	5/8W	HD Steel	6,000	2	2	Box

Note: All diameter, width and wire measurements shown are in millimetres (mm).

## Cup Brush Accessories

Part No.	Description	Inner QTY	Outer QTY	Pack Type
TBA38UNF	Cup Brush Adaptor M14 Thread > 3/8UNF	1	1	Clamshell
TBA1	Cup Brush Adaptor M14 Thread > 10 x 1.25	1	1	Clamshell



# Cup Brushes

## Twistknot Cup Brushes

Josco Cup Brushes with twistknot wire are ideal for hard, aggressive brushing and contaminant removal. Great for scale, rust and paint removal.



166M

166MSS

159B3

161NB3

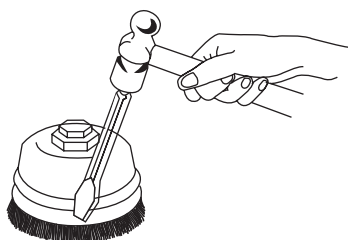
Multi-thread (MT) Adaptor

Part No.	Dia.	Wire Size	Rows	Metal Skirt	Thread	Material	Max. RPM	Inner QTY	Outer QTY	Pack Type
TC65M	65	0.50	1	-	MT	XHD Steel	12,000	3	30	Clamshell
166M	75	0.35	1	-	MT	XHD Steel	12,000	3	30	Clamshell
166MSS	75	0.35	1	-	MT	316 Stainless	12,000	3	30	Clamshell
166BM	75	0.50	1	-	MT	XHD Steel	12,000	3	30	Clamshell
166BMSS	75	0.50	1	-	MT	316 Stainless	12,000	5	30	Clamshell
159B3	100	0.50	1	-	M14	XHD Steel	9,000	2	10	Clamshell
159NB3	100	0.50	1	Yes	M14	XHD Steel	9,000	10	10	Box
159NB3SS	100	0.50	1	Yes	M14	316 Stainless	9,000	2	2	Box
159NB4	100	0.50	1	Yes	5/8W	XHD Steel	9,000	2	2	Box
160NB3	100	0.50	2	Yes	M14	XHD Steel	9,000	4	4	Box
160NB3SS	100	0.50	2	Yes	M14	316 Stainless	9,000	2	2	Box
161B3	125	0.50	1	-	M14	XHD Steel	6,000	4	12	Box
161NB3	125	0.50	1	Yes	M14	XHD Steel	6,000	4	4	Box
162NB3	125	0.50	2	Yes	M14	XHD Steel	6,000	4	4	Box
JTC15023	150	0.50	2	-	M14	XHD Steel	6,000	2	2	Box

Note: All diameter, width and wire measurements shown are in millimetres (mm).

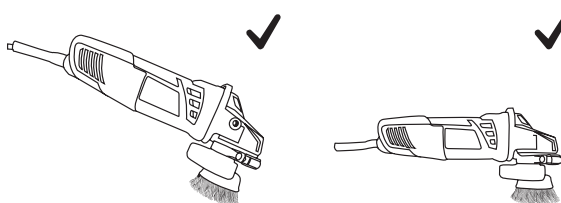
### Removal of Skirt

The letter 'N' in the part numbers denotes a brush fitted with a metal skirt. The skirt can be removed when the wire is worn to the level of the skirt, thus giving longer life. Some twistknot cup brushes are supplied with a skirt to prevent wire splay when in use. When worn, the skirt may be easily removed by striking the edge with a hammer and cold chisel or welders chipping hammer, exposing additional wire for extra wear.



### Usage Instructions

Josco Twistknot Cup Brushes can either be used at an angle or flat to the workpiece. Brushes with 0.35mm wire are best suited to a flat application. See below for explanation.





# Spindle Mounted Brushes

## High Speed Crimped Wheel Brushes (Decarb)



Josco High Speed Crimped Wheel Brushes are ideal for removing rust and corrosion from most metals. The 230 series decarbonising brushes are now high speed rated and ideal for decarbonising in automotive applications. For use with die grinders, air tools and drills.



238



238BR



238SS

Part No.	Dia.	Width	Spindle	Wire Size	Material	Max. RPM	Inner QTY	Outer QTY	Pack Type
230	19	6	6	0.15	HD Steel	20,000	10	10	Clamshell
231	25	6	6	0.20	HD Steel	20,000	10	10	Clamshell
232	32	6	6	0.25	HD Steel	20,000	10	10	Clamshell
WC3512	35	12	6.35	0.13	HD Steel	20,000	10	100	Box
WC3812	38	12	6.35	0.23	HD Steel	20,000	10	100	Box
233	38	8	6	0.25	HD Steel	18,000	10	10	Clamshell
233D40	40	8	6.35	0.25	HD Steel	18,000	10	10	Clamshell
233D40SS	40	8	6.35	0.25	316 Stainless	18,000	10	10	Clamshell
234	50	8	6	0.25	HD Steel	15,000	10	10	Clamshell
234SS	50	8	6.35	0.25	316 Stainless	15,000	10	10	Clamshell
WC5010	50	10	6.35	0.23	HD Steel	20,000	10	200	Box
235	50	19	6	0.25	HD Steel	15,000	10	10	Clamshell
WC5019	50	19	6.35	0.23	HD Steel	20,000	10	200	Box
236	50	25	6	0.25	HD Steel	15,000	10	10	Clamshell
237	60	15	6.35	0.25	HD Steel	15,000	10	10	Box
WC6412	64	12	6.35	0.29	HD Steel	20,000	10	100	Box
65	75	10	6.35	0.23	HD Steel	20,000	10	10	Box
238	80	15	6.35	0.25	HD Steel	12,000	10	10	Clamshell
238BR	80	15	6.35	0.30	Brass	12,000	10	10	Clamshell
238SS	80	15	6.35	0.25	316 Stainless	12,000	10	10	Clamshell
239	100	15	6.35	0.25	HD Steel	10,000	10	10	Clamshell
239BR	100	15	6.35	0.25	Brass	10,000	10	10	Clamshell

Note: All diameter, width and wire measurements shown are in millimetres (mm).

# Spindle Mounted Brushes



## Crimped Wheel Brushes

Josco Spindle Mounted Crimped Wheel Brushes are ideal for removing rust and paint and are fitted with a quick change 6.3mm hex shank.



JCW40



JCW50



JAW100R



JAF100R

Part No.	Dia.	Width	Spindle	Wire Size	Material	Max. RPM	Inner QTY	Outer QTY	Pack Type
JCW40	40	5	6.35 Hex	0.30	HD Steel	4,500	5	50	Clamshell
JCW50	50	7	6.35 Hex	0.30	HD Steel	4,500	5	50	Clamshell
JCW75	75	10	6.35 Hex	0.30	HD Steel	4,500	5	50	Clamshell
JCW100	100	13	6.35 Hex	0.30	HD Steel	4,500	5	50	Clamshell
JAW50R	50		6.35 Hex	-	Abrasive Nylon	4,500	5	100	Clamshell
JAW75R	75		6.35 Hex	-	Abrasive Nylon	4,500	5	100	Clamshell
JAW100R	100		6.35 Hex	-	Abrasive Nylon	4,500	5	100	Clamshell
JAF100R	100		6.35 Hex	-	Abrasive Nylon	4,500	5	100	Clamshell

Note 1: All diameter, width and wire measurements shown are in millimetres (mm).

Note 2: Please see below for details on operating abrasive nylon brushes.

### Abrasive Nylon Brushes

**Application:** Nylon brushes do not scratch and therefore are appropriate for cleaning and polishing of any kind of wood (fine or rustic); metallic surfaces such as automobile bodies; tile, stone and concrete; plastic materials; plus stainless steel and aluminium.

**Technical Features:** All of the nylon brushes featured in the catalogue are made of 80 grit nylon filaments impregnated with aluminium oxide abrasive particles. They have a high range of flexibility without danger of breakage, providing a long working life and an increased measure of safety. They are suitable for dry applications only, and are to be used in power drills.

**Operating Performance:** Optimum performance is obtained at the recommended working speed range of between 1,000 RPM and 2,500 RPM. Speeds above the recommended ones may smear the work piece due to heat build-up.

# Spindle Mounted Brushes

## High Speed Twistknot Wheel Brushes



Josco High Speed Twistknot Wheel Brushes are ideal for use with die grinders, air tools and drills.



JSTW75

Part No.	Dia.	Width	Knots	Spindle	Wire Size	Material	Max. RPM	Inner QTY	Outer QTY	Pack Type
JSTW75	75	8	15	6	0.50	XHD Steel	20,000	2	20	Clamshell

Note: All diameter, width, spindle and wire measurements shown are in millimetres (mm).

## High Speed Twistknot Bevel Brushes



Josco High Speed Twistknot Bevel Brushes are ideal for use with die grinders, air tools and drills.

Part No.	Dia.	Width	Knots	Spindle	Wire Size	Material	Max. RPM	Inner QTY	Outer QTY	Pack Type
JSTB75	75	10	15	6.35	0.50	XHD Steel	15,000	3	3	Clamshell
JSTB100	100	12	18	6.35	0.50	XHD Steel	12,500	3	3	Clamshell

Note: All diameter, width, spindle and wire measurements shown are in millimetres (mm).

## High Speed Twistknot Cup Brushes



Josco High Speed Cup Brushes are ideal for use with die grinders, air tools and drills.



TC19

Part No.	Dia.	Rows	Spindle	Wire Size	Material	Max. RPM	Inner QTY	Outer QTY	Pack Type
TC19	19	1	6.35	0.29	XHD Steel	22,000	10	10	Clamshell
TC19SS	19	1	6.35	0.29	302 Stainless	22,000	10	10	Clamshell
TC25	25	1	6.35	0.29	XHD Steel	22,000	10	10	Clamshell
TC25SS	25	1	6.35	0.29	302 Stainless	22,000	10	10	Clamshell

Note: All diameter, spindle and wire measurements shown are in millimetres (mm).

# Spindle Mounted Brushes

## Twistknot Cup Brushes



Josco Twistknot Cup Brushes are ideal for use with low speed air tools and drills for removing rust, paint and weld scale.



TC50

Part No.	Dia.	Spindle	Wire Size	Material	Max. RPM	Inner QTY	Outer QTY	Pack Type
TC50	50	8	0.50	XHD Steel	3,000	5	20	Clamshell

Note: All diameter, spindle and wire measurements shown are in millimetres (mm).

## High Speed Crimped Cup Brush



Josco Crimped Cup Brushes can be used at high speed to remove rust, paint and weld scale, and are suitable for use with die grinders, air tools and drills.



CC12



CC19



CC25

Part No.	Dia.	Spindle	Wire Size	Material	Max. RPM	Inner QTY	Outer QTY	Pack Type
CC12	12	6.35	0.18	HD Steel	25,000	10	10	Box
CC19	19	6.35	0.18	HD Steel	22,000	10	10	Box
CC25	25	6.35	0.18	HD Steel	22,000	10	10	Box

Note: All diameter, spindle and wire measurements shown are in millimetres (mm).

# Spindle Mounted Brushes

## Crimped Cup Brush (Decarb)



Josco Decarbonising Crimped Cup and End Brushes are ideal for removing rust and corrosion from most metals, and decarbonising in automotive applications. Suitable for use with low speed air tools and drills.



208 (Pointed)



220 (Flat)



240 (Busby)

Part No.	Dia.	Shape	Spindle	Wire Size	Material	Max. RPM	Inner QTY	Outer QTY	Pack Type
200	8	Flat	6	0.30	TNC Wire	3,000	10	10	Clamshell
201	9	Flat	6	0.30	TNC Wire	3,000	10	10	Clamshell
202	11	Flat	6	0.30	TNC Wire	3,000	10	10	Clamshell
202SS	11	Flat	6.35	0.30	316 Stainless	3,000	10	10	Clamshell
203	19	Flat	6	0.30	TNC Wire	3,000	10	10	Clamshell
204	25	Flat	6	0.30	TNC Wire	3,000	10	10	Clamshell
204D24EN	24	Flat	6	0.30	TNCE Wire	3,000	10	10	Clamshell
206	9	Pointed	6	0.30	TNC Wire	3,000	10	100	Clamshell
207	11	Pointed	6	0.30	TNC Wire	3,000	10	10	Clamshell
208	19	Pointed	6	0.30	TNC Wire	3,000	10	10	Clamshell
209	25	Pointed	6	0.30	TNC Wire	3,000	10	10	Clamshell
219	8	Flat	6 x 50	0.30	TNC Wire	3,000	10	10	Clamshell
220	8	Flat	6 x 125	0.30	TNC Wire	3,000	10	10	Clamshell
221	8	Pointed	6 x 50	0.30	TNC Wire	3,000	10	10	Clamshell
222	8	Pointed	6 x 125	0.30	TNC Wire	3,000	10	10	Clamshell
240	38	Busby	6	0.30	TNC Wire	3,000	10	10	Clamshell

Note: All diameter, spindle and wire measurements shown are in millimetres (mm).



# Spindle Mounted Brushes

## Crimped Cup Brush



Josco Crimped Cup Brushes are all fitted with a quick change 6.3mm hex shank (spindle). Suitable for use in drills.



Part No.	Dia.	Shape	Spindle	Wire Size	Material	Max. RPM	Inner QTY	Outer QTY	Pack Type
JEC17	17	Flat	6.35 Hex	0.30	HD Steel	4,500	10	50	Clamshell
JEC25	25	Flat	6.35 Hex	0.30	HD Steel	4,500	10	50	Clamshell
JEC30	30	Flat	6.35 Hex	0.30	HD Steel	4,500	5	50	Clamshell
JCC50	50	-	6.35 Hex	0.30	HD Steel	4,500	5	50	Clamshell
JCC63	63	-	6.35 Hex	0.30	HD Steel	4,500	5	50	Clamshell
JCC63SS	63	-	6.35 Hex	0.30	316 Stainless	4,500	5	50	Clamshell
JCC75	75	-	6.35 Hex	0.30	HD Steel	4,500	5	50	Clamshell
JAC25R	25	-	6.35 Hex	-	Abrasive Nylon	4,500	5	100	Clamshell
JAC50R	50	-	6.35 Hex	-	Abrasive Nylon	4,500	5	100	Clamshell
JAC75R	75	-	6.35 Hex	-	Abrasive Nylon	4,500	5	100	Clamshell

Note 1: All diameter, width and wire measurements shown are in millimetres (mm).

Note 2: Information on operating abrasive nylon brushes can be found on page 15 of the Josco Brush Catalogue.

## Heavy Duty Crimped Cup Brush



Josco Heavy Duty Crimped Cup Brushes are ideal for use in low speed air tools and drills to remove rust, paint and weld scale. Their density and type of wire make these brushes suitable for heavier brushing applications.



Part No.	Dia.	Shape	Spindle	Wire Size	Material	Max. RPM	Inner QTY	Outer QTY	Pack Type
150	50	Flat	6	0.30	HD Steel	6,000	2	20	Clamshell
151GW	60	Flat	6	0.30	HD Steel	6,000	2	20	Clamshell
151BC	60	Flat	6	0.30	BC Steel	6,000	2	20	Clamshell
151TC	60	Flat	6	TC	BCTC Wire	6,000	2	20	Clamshell
152	70	-	8	0.30	BC Steel	6,000	5	20	Clamshell

Note: All diameter, spindle and wire measurements shown are in millimetres (mm).

# Hand Brushes

## Hand Brushes



Josco Hand Brushes are versatile tools for deburring, paint and rust removal, cleaning, edge blending and surface preparation. They are available in a range of different formations spanning across long and short handles, 3, 4 or 5 row and converged face, plus much more.

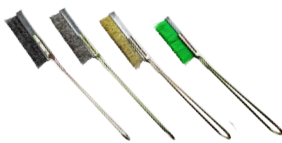


BLH3R (Long Handle)

BSH3R (Short Handle)

BSCH410

Part No.	Rows	Type	Material	Width	Inner QTY	Outer QTY	Pack Type
BLH3R	3	Long Wood	HD Steel	15	12	120	Box
BLH3RC	3 Converged	Long Wood	HD Steel	15	12	120	Box
BLH4R	4	Long Wood	HD Steel	20	12	120	Box
BLH5R	5	Long Wood	HD Steel	25	12	120	Box
402	4	Long Plastic	HD Steel	20	12	120	Box
422	4	Long Plastic	316 Stainless	20	12	120	Box
442	4	Long Plastic	Brass	20	12	120	Box
BLH3RSS	3	Long Wood	316 Stainless	15	12	120	Box
BLH4RSS	4	Long Wood	316 Stainless	20	12	120	Box
BLH4RB	4	Long Wood	Brass	20	12	120	Box
BSH3R	3	Short Wood	HD Steel	15	12	120	Box
BSH4R	4	Short Wood	HD Steel	20	12	120	Box
BSH5R	5	Short Wood	HD Steel	25	12	120	Box
BSCH410	6	Arched Wood	HD Steel	30	6	72	Box



JSH65, JSH65SS, JSH65BR, JSH65N



BSBS



557

Part No.	Rows	Type	Material	Width	Inner QTY	Outer QTY	Pack Type
JSH65SS	1	Mini (65mm)	316 Stainless	6	6	60	Box
JSH65BR	1	Mini (65mm)	Brass	6	6	60	Box
JSH65	1	Mini (65mm)	HD Steel	6	6	60	Box
JSH65N	1	Mini (65mm)	Nylon	6	6	60	Box
BSBS	1	Plastic Scratch	HD Steel	15	12	120	Box
BSBB	1	Plastic Scratch	Brass	15	12	120	Box
BSBSS	1	Plastic Scratch	316 Stainless	15	12	120	Box
557	-	File Cleaning	File Card	50	10	100	Box

# Hand Brushes

## Hot Bench Brush



Josco's Hot Bench Brushes are ideal for cleaning hot surfaces. With two sizes available, it is the ideal hand brush for getting into tight spots and cleaning around tools. They are naturally heat and chemical resistant, and are great for cleaning up hot areas such as welding stations, furnaces, BBQ's and wood fire ovens. They are heat resistant to 150°C, and have a flash point of 200°C.

Both the java fibre and wood handle are sustainably sourced and carry the FSC watermark to indicate ethically sourced material.



JHBHBS



JHBHBL



JHBBC



Part No.	Description	Material	Inner QTY	Outer QTY	Pack Type
JHBHBS	Small Hot Bench Brush	Java fibre	12	120	Box
JHBHBL	Large Hot Bench Brush	Java fibre	6	60	Box
JHBBC	Banister Brush	Coco fibre	12	120	Box

# Tube Brushes

## Single Spiral Boiler Tube Brushes



For the removal of rust and residue from inside tubes and holes.



751

Part No.	Dia.	Wire Size	Ferrule Fitting	Material	Inner QTY	Outer QTY	Pack Type
750.1	22	0.30	Male 1/2 BSW	HD Steel	1	1	Box
750	25	0.30	Male 1/2 BSW	HD Steel	1	1	Box
751	31	0.30	Male 1/2 BSW	HD Steel	1	1	Box
752.1	32	0.30	Male 1/2 BSW	HD Steel	1	1	Box
752	38	0.30	Male 1/2 BSW	HD Steel	1	1	Box
753.1	41	0.30	Male 1/2 BSW	HD Steel	1	1	Box
753	44	0.30	Male 1/2 BSW	HD Steel	1	1	Box
754	50	0.30	Male 1/2 BSW	HD Steel	1	1	Box
755	56	0.30	Male 1/2 BSW	HD Steel	1	1	Box
756	63	0.30	Male 1/2 BSW	HD Steel	1	1	Box
757	67	0.30	Male 1/2 BSW	HD Steel	1	1	Box
758	75	0.30	Male 1/2 BSW	HD Steel	1	1	Box
759	81	0.30	Male 1/2 BSW	HD Steel	1	1	Box
760	88	0.30	Male 1/2 BSW	HD Steel	1	1	Box
761	94	0.30	Male 1/2 BSW	HD Steel	1	1	Box
762	100	0.30	Male 1/2 BSW	HD Steel	1	1	Box
763	125	0.30	Male 1/2 BSW	HD Steel Wire	1	1	Box
764	150	0.30	Male 1/2 BSW	HD Steel Wire	1	1	Box

## Double Spiral Boiler Tube Brushes



Double spiral construction provides greater brush density.



769

Part No.	Dia.	Wire Size	Ferrule Fitting	Material	Inner QTY	Outer QTY	Pack Type
765	38	0.30	Male 1/2 BSW	HD Steel	1	1	Box
766	44	0.30	Male 1/2 BSW	HD Steel	1	1	Box
767	50	0.30	Male 1/2 BSW	HD Steel	1	1	Box
768	56	0.30	Male 1/2 BSW	HD Steel	1	1	Box
769	63	0.30	Male 1/2 BSW	HD Steel	1	1	Box
770	69	0.30	Male 1/2 BSW	HD Steel	1	1	Box
771	75	0.30	Male 1/2 BSW	HD Steel	1	1	Box
772	81	0.30	Male 1/2 BSW	HD Steel	1	1	Box
773	88	0.30	Male 1/2 BSW	HD Steel	1	1	Box
774	94	0.30	Male 1/2 BSW	HD Steel	1	1	Box
775	100	0.30	Male 1/2 BSW	HD Steel	1	1	Box

Note: All diameter and wire measurements shown are in millimetres (mm).

# Tube Brushes

## Single Twist Condensor Tube Brushes



For the removal of rust and residue inside of tubes and holes.

Part No.	Dia.	Wire Size	Ferrule Fitting	Material	Inner QTY	Outer QTY	Pack Type
776.1	6	0.30	Male 3/16 BSW	HD Steel	1	1	Box
776.2	8	0.30	Male 3/16 BSW	HD Steel	1	1	Box
776	9	0.30	Male 3/16 BSW	HD Steel	1	1	Box
777.1	10	0.30	Male 5/16 BSW	HD Steel	1	1	Box
777	13	0.30	Male 5/16 BSW	HD Steel	1	1	Box
778.1	14	0.30	Male 5/16 BSW	HD Steel	1	1	Box
776.1B	6	0.30	Male 3/16 BSW	Brass	1	1	Box
776.2B	8	0.30	Male 3/16 BSW	Brass	1	1	Box
776B	9	0.30	Male 3/16 BSW	Brass	1	1	Box
777.1B	10	0.30	Male 5/16 BSW	Brass	1	1	Box
777B	13	0.30	Male 5/16 BSW	Brass	1	1	Box
778.1B	14	0.30	Male 5/16 BSW	Brass	1	1	Box
776.1N	6	0.30	Male 3/16 BSW	Nylon	1	1	Box
776.2N	8	0.30	Male 3/16 BSW	Nylon	1	1	Box
776N	9	0.30	Male 3/16 BSW	Nylon	1	1	Box
777N	13	0.40	Male 5/16 BSW	Nylon	1	1	Box

## Double Twist Condensor Tube Brushes



Double twist construction provides greater brush density.



781B



781N

Part No.	Dia.	Wire Size	Ferrule Fitting	Material	Inner QTY	Outer QTY	Pack Type
778	16	0.30	Male 5/16 BSW	HD Steel	1	1	Box
779	19	0.30	Male 5/16 BSW	HD Steel	1	1	Box
780	25	0.30	Male 5/16 BSW	HD Steel	1	1	Box
781	32	0.30	Male 5/16 BSW	HD Steel	1	1	Box
778B	16	0.30	Male 5/16 BSW	Brass	1	1	Box
779B	19	0.30	Male 5/16 BSW	Brass	1	1	Box
780B	25	0.30	Male 5/16 BSW	Brass	1	1	Box
781B	32	0.30	Male 5/16 BSW	Brass	1	1	Box
778N	16	0.40	Male 5/16 BSW	Nylon	1	1	Box
779N	19	0.40	Male 5/16 BSW	Nylon	1	1	Box
780N	25	0.40	Male 5/16 BSW	Nylon	1	1	Box
781N	32	0.40	Male 5/16 BSW	Nylon	1	1	Box

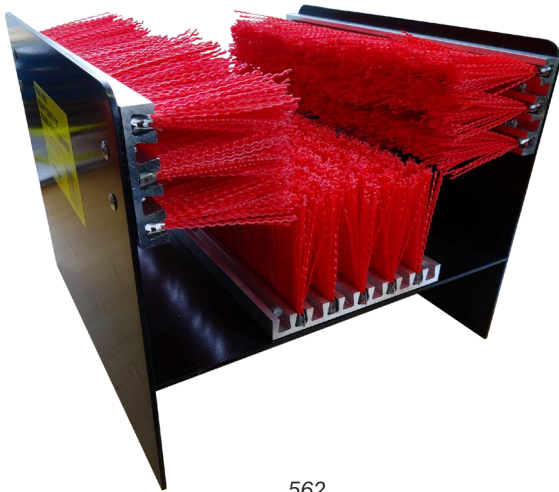
Note: All diameter and wire measurements shown are in millimetres (mm).



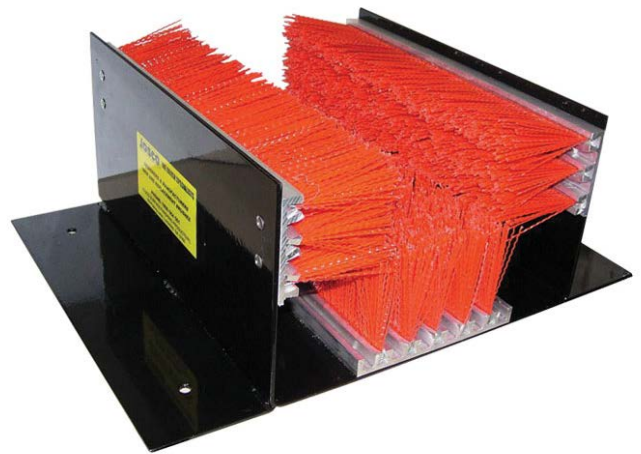
# Boot Cleaners

## Boot Cleaners

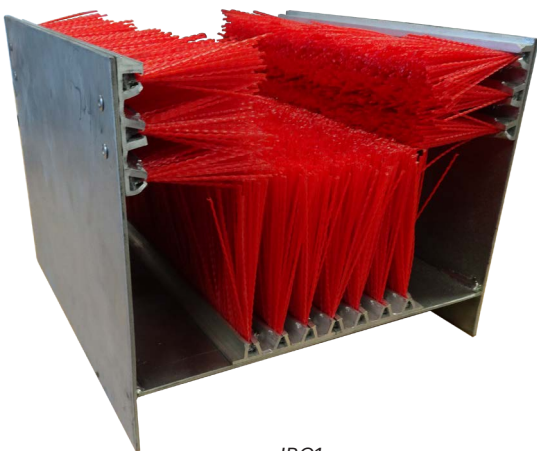
Part No.	Frame	Brushes	Weight	Inner QTY	Outer QTY	Pack Type
562FB	Powder Coated Steel (Flat Base)	3 Side x 5 Bottom	8kg	1	1	Box
562	Powder Coated Steel (H-Frame)	3 Side x 5 Bottom	8kg	1	1	Box
572	Zinc Plated Tube (Light Duty)	2 Side x 4 Bottom	2kg	1	1	Box
JBC1	Galvanised Steel (H-Frame)	3 Side x 7 Bottom	9kg	1	1	Box
JBC2	Galvanised Steel (Flat Base)	3 Side x 7 Bottom	9kg	1	1	Box



562



562FB



JBC1

# Ordering Information

Part No.	Barcode	Inner Pack Barcode	Outer Pack Barcode
99A	9314028200016	19314028200013	29314028200010
852508	9314028199716	19314028199713	29314028199710
851313	9314028199709	19314028199706	29314028199703
100A	9314028200023	19314028200020	29314028200027
100B	9314028200030	19314028200037	29314028200034
100	9314028200047	19314028200044	29314028200041
101B	9314028200306	19314028200303	29314028200300
101	9314028200115	19314028200112	29314028200119
102A	9314028200108	19314028200549	29314028200546
102B	9314028200061	19314028200068	29314028200065
102BSS	9314028241019	19314028241016	29314028241013
102BBR	9314028201464	19314028201461	29314028201468
102	9314028200313	19314028200310	29314028200317
102SS	9314028201389	19314028201386	29314028201383
103A	9314028200085	19314028200082	29314028200089
103ASS	9314028201396	19314028201393	29314028201390
103ABR	9314028201471	19314028201478	29314028201475
103	9314028200092	19314028200099	29314028200096
103SS	9314028201402	19314028201409	29314028201406
103B	9314028199549	19314028199546	29314028199543
103C	9314028200603	19314028200600	29314028200607
104	9314028199556	19314028199553	29314028199550
104A	9314028199563	19314028199560	29314028199567
104B	9314028200634	19314028200631	29314028200638
104C	9314028200641	19314028200648	29314028200645
105	9314028199570	19314028199577	29314028199574
105A	9314028200665	19314028200662	29314028200669
105B	9314028200672	19314028200679	29314028200676
171	9314028200955	19314028200952	29314028200959
171B	9314028200986	19314028200983	29314028200980
171BSS	9314028201204	19314028201201	29314028201208
171C	9314028200788	19314028200785	29314028200782
JTW100M	9314028200856	19314028200853	29314028200850
JTW115	9314028200795	19314028200792	29314028200799
JTW115SS	9314028200801	19314028200808	29314028200805
JTW125	9314028200818	19314028200815	29314028200812
JTW125SS	9314028200825	19314028200822	29314028200829
JTS1253	9314028200863	19314028200860	29314028200867

# Ordering Information

Part No.	Barcode	Inner Pack Barcode	Outer Pack Barcode
172	9314028199587	19314028199584	29314028199581
172B	9314028200771	19314028200778	29314028200775
172BSS	9314028201358	19314028201355	29314028201352
172A	9314028200788	19314028200785	29314028200782
172C	9314028199594	19314028199591	29314028199598
JTW1503	9314028200870	19314028200877	29314028200874
173	9314028199600	19314028199607	29314028199604
173B	9314028199624	19314028199621	29314028199628
173A	9314028199617	19314028199614	29314028199611
173C	9314028199631	19314028199638	29314028199635
JS9008	9314028202232	19314028202239	29314028202236
5828	9314028199754	19314028199751	29314028199758
5828T	9314028200153	19314028200150	29314028200157
582840	9314028201150	19314028201157	29314028201154
582840T	9314028200214	19314028200211	29314028200218
5828SS	9314028201488	19314028201485	29314028201482
5828SS304	9314028199730	19314028199737	29314028199734
5828TSS	9314028200924	19314028200921	29314028200928
4009	9314028199747	19314028199744	29314028199741
JS8020	9314028200122	19314028200129	29314028200126
JS80203	9314028202256	19314028202253	29314028202250
JS8021	9314028199723	19314028199720	29314028199727
JS80323	9314028199815	19314028199812	29314028199819
JS80333	9314028199822	19314028199829	29314028199826
JCB100TC	9314028200832	19314028200839	29314028200836
JCB100SS	9314028200849	19314028200846	29314028200843
TB100M	9314028200191	19314028200198	29314028200195
TB100MSS	9314028200245	19314028200242	29314028200249
TB1153	9314028200900	19314028200907	29314028200904
TB1153SS	9314028201648	19314028201645	29314028201642
TB1253	9314028200917	19314028200914	29314028200911
TB1503	9314028201341	19314028201348	29314028201345
153M	9314028200160	19314028200167	29314028200164
153MSS	9314028200566	19314028200563	29314028200560
153MBR	9314028200573	19314028200570	29314028200577
153TCM	9314028200894	19314028200891	29314028200898

# Ordering Information

Part No.	Barcode	Inner Pack Barcode	Outer Pack Barcode
1543	9314028201303	19314028201300	29314028201307
1543SS	9314028200580	19314028200587	29314028200584
1544SS	9314028201327	19314028201324	29314028201321
1543BR	9314028201334	19314028201331	29314028201338
1553	9314028201310	19314028201317	29314028201314
1554	9314028200610	19314028200617	29314028200614
TBA38UNF	Please contact Josco for information.		
TBA1	9314028199846	19314028199843	29314028199840
TC65M	9314028200207	19314028200204	29314028200201
166M	9314028200177	19314028200174	29314028200171
166MSS	9314028200221	19314028200228	29314028200225
166BM	9314028200184	19314028200181	29314028200188
166BMSS	9314028200238	19314028200235	29314028200232
159B3	9314028240289	19314028240286	29314028240283
159NB3	9314028201174	19314028201171	29314028201178
159NB3SS	9314028200627	19314028200624	29314028200621
159NB4	9314028200979	19314028200976	29314028200973
160NB3	9314028201198	19314028201195	29314028201192
160NB3SS	9314028201181	19314028201188	29314028201185
161B3	9314028201228	19314028201225	29314028201222
161NB3	9314028201211	19314028201218	29314028201215
162NB3	9314028201242	19314028201249	29314028201246
JTC15023	9314028200658	19314028200655	29314028200652
230	9314028240487	19314028240484	29314028240481
231	9314028240494	19314028240491	29314028240498
232	9314028240500	19314028240507	29314028240504
WC3512	Please contact Josco for information.		
WC3812	Please contact Josco for information.		
233	9314028240517	19314028240514	29314028240511
233D40	9314028201105	19314028201102	29314028201109
233D40SS	9314028200689	19314028200686	29314028200683
234	9314028240524	19314028240521	29314028240528
234SS	9314028200696	19314028200693	29314028200690
WC5010	Please contact Josco for information.		
235	9314028240357	19314028240354	29314028240351
WC5019	Please contact Josco for information.		
236	9314028200528	19314028200525	29314028200522

# Ordering Information

Part No.	Barcode	Inner Pack Barcode	Outer Pack Barcode
237	9314028200702	19314028200709	29314028200706
WC6412	Please contact Josco for information.		
65	9415057868700	19415057868707	29415057868704
238	9314028200719	19314028200716	29314028200713
238BR	9314028200733	19314028200730	29314028200737
238SS	9314028200726	19314028200723	29314028200720
239	9314028200740	19314028200747	29314028200744
239BR	9314028200757	19314028200754	29314028200751
JCW40	9314028200948	19314028200945	29314028200942
JCW50	9314028200962	19314028200969	29314028200966
JCW75	9314028201143	19314028201140	29314028201147
JCW100	9314028201204	19314028201201	29314028201208
JAW50R	9314028250028	19314028250025	29314028250022
JAW75R	9314028240937	19314028240934	29314028240931
JAW100R	9314028240944	19314028240941	29314028240948
JAF100R	9314028250004	19314028250001	29314028250008
JSTW75	9314028200764	19314028200761	29314028200768
JSTB75	9314028201655	19314028201652	29314028201659
JSTB100	9314028200559	19314028200556	29314028200553
TC19	9314028240814	19314028200587	29314028200584
TC19SS	9314028242085	19314028242082	29314028242089
TC25	9314028240210	19314028200594	29314028200591
TC25SS	9314028242092	19314028242099	29314028242096
TC50	9314028201082	19314028201089	29314028201086
CC12	9314028240845	19314028240842	29314028240849
CC19	9314028240852	19314028240859	29314028240856
CC25	9314028240869	19314028240866	29314028240863
200	9314028201679	19314028201676	29314028201673
201	9314028200320	19314028200327	29314028200324
202	9314028240326	19314028240323	29314028240320
202SS	9314028201686	19314028201683	29314028201680
203	9314028240449	19314028240446	29314028240443
204	9314028200351	19314028200358	29314028200355
204D24EN	9314028199839	19314028199836	29314028199833
206	9314028200368	19314028200365	29314028200362
207	9314028240333	19314028240330	29314028240337
208	9314028240456	19314028240453	29314028240450



# Ordering Information

Part No.	Barcode	Inner Pack Barcode	Outer Pack Barcode
209	9314028200399	19314028200396	29314028200393
219	9314028200429	19314028200426	29314028200423
220	9314028240340	19314028240347	29314028240344
221	9314028200443	19314028200440	29314028200447
222	9314028200450	19314028200457	29314028200454
240	9314028201693	19314028201690	29314028201697
JEC17	9314028201532	19314028201539	29314028201536
JEC25	9314028201549	19314028201546	29314028201543
JEC30	9314028201556	9314028201553	29314028201550
JCC50	9314028201235	19314028201232	29314028201239
JCC63	9314028201426	19314028201423	29314028201420
JCC63SS	9314028200993	19314028200990	29314028200997
JCC75	9314028201440	19314028201447	29314028201444
JAC25R	9314028240906	19314028240903	29314028240900
JAC50R	9314028240913	19314028240910	29314028240917
JAC75R	9314028240920	19314028240927	29314028240924
150	9314028200139	19314028200136	29314028200133
151GW	9314028200887	19314028200884	29314028200881
151BC	9314028200146	19314028200143	29314028200140
151TC	9314028201273	19314028201270	29314028201277
152	9314028240685	19314028240682	29314028240689
BLH3R	9314028241941	9314028241948	29314028241945
BLH3RC	9314028242009	19314028242006	29314028242003
BLH4R	9314028241958	19314028241955	29314028241952
BLH5R	9314028241965	19314028241962	29314028241969
402	9314028310098	19314028310095	29314028310092
422	9314028310135	19314028310132	29314028310139
442	9314028310159	19314028310156	29314028310153
BLH3RSS	9314028241972	19314028241979	29314028241976
BLH4RSS	9314028241989	19314028241986	29314028241983
BLH4RB	9314028241996	19314028241993	29314028241990
BSH3R	9314028241903	19314028241900	29314028241907
BSH4R	9314028241910	19314028241917	29314028241914
BSH5R	9314028241927	19314028241924	29314028241921
JSH65SS	9314028200870	19314028200877	29314028200874
JSH65BR	9314028200931	19314028200938	29314028200935
JSH65	9314028200542	19314028200549	29314028200546

# Ordering Information

Part No.	Barcode	Inner Pack Barcode	Outer Pack Barcode
JSH65N	9314028200993	19314028200990	29314028200997
BSBS	9314028462919	19314028462916	29314028462913
BSBB	9314028465910	19314028465917	29314028465914
BSBSS	9314028463916	19314028463913	29314028463910
557	9314028408801	19314028408808	29314028408805
BSCH410	9314028242016	19314028242013	29314028242010
750.1	9314028280261	19314028280268	29314028280265
750	9314028280278	19314028280275	29314028280272
751	9314028280285	19314028280282	29314028280289
752.1	9314028280544	19314028280541	29314028280548
752	9314028280292	19314028280299	29314028280296
753.1	9314028280551	19314028280558	29314028280555
753	9314028280308	19314028280305	29314028280302
754	9314028280315	19314028280312	29314028280319
755	9314028280322	19314028280329	29314028280326
756	9314028280339	19314028280336	29314028280333
757	9314028280346	19314028280343	29314028280340
758	9314028280353	19314028280350	29314028280357
759	9314028280360	19314028280367	29314028280364
760	9314028280377	19314028280374	29314028280371
761	9314028280384	19314028280381	29314028280388
762	9314028280391	19314028280398	29314028280395
763	9314028280407	19314028280404	29314028280401
764	9314028580569	19314028580566	29314028580563
765	9314028280438	19314028280435	29314028280432
766	9314028280445	19314028280442	29314028280449
767	9314028280452	19314028280459	29314028280456
768	9314028280469	19314028280466	29314028280463
769	9314028280476	19314028280473	29314028280470
770	9314028280483	19314028280480	29314028280487
771	9314028280490	19314028280497	29314028280494
772	9314028280506	19314028280503	29314028280500
773	9314028280513	19314028280510	29314028280517
774	9314028280520	19314028280527	29314028280524
775	9314028280537	19314028280534	29314028280531
776.1	9314028280001	19314028280121	29314028280128
776.2	9314028280018	19314028280015	29314028280012

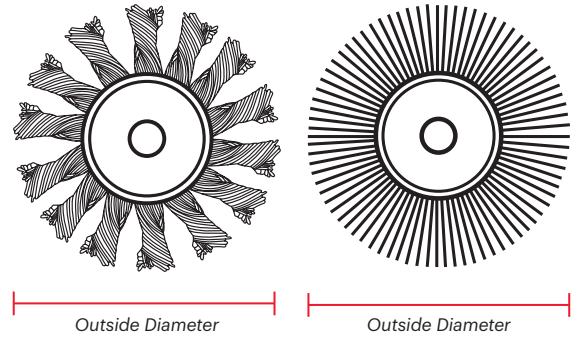
# Ordering Information

Part No.	Barcode	Inner Pack Barcode	Outer Pack Barcode
776	9314028280025	19314028280022	29314028280029
777.1	9314028199648	19314028199645	29314028199642
777	9314028280032	19314028280039	29314028280036
778.1	9314028200801	19314028200808	29314028200805
776.1B	9314028280186	19314028280183	29314028280180
776.2B	9314028280193	19314028280190	29314028280197
776B	9314028280209	19314028280206	29314028280203
777B	9314028280216	19314028280213	29314028280210
777.1B	9314028199686	19314028199683	29314028199680
778.1B	9314028199679	19314028199676	29314028199673
776.1N	9314028280094	19314028280091	29314028280098
776.2N	9314028280100	19314028280107	29314028280104
776N	9314028280117	19314028280114	29314028280111
777N	9314028280124	19314028280121	29314028280128
778	9314028280049	19314028280046	29314028280043
779	9314028280056	19314028280053	29314028280050
780	9314028280063	19314028280060	29314028280067
781	9314028280070	19314028280077	29314028280074
778B	9314028280223	19314028280220	29314028280227
779B	9314028280230	19314028280237	29314028280234
780B	9314028280247	19314028280244	29314028280241
781B	9314028280254	19314028280251	29314028280258
778N	9314028280131	19314028280138	29314028280135
779N	9314028280148	19314028280145	29314028280142
780N	9314028280155	19314028280152	29314028280159
781N	9314028280162	19314028280169	29314028280166
562FB	9314028247042	19314028247049	29314028247046
562FBR	9314028247059	19314028247056	29314028247053
562	9314028247035	19314028247032	29314028247039
572	9314028247066	19314028247063	29314028247060
JBC1	9314028247073	19314028247070	29314028247077
JBC2	9314028247080	19314028247087	29314028247084

# Brush Diagrams & Recommendations

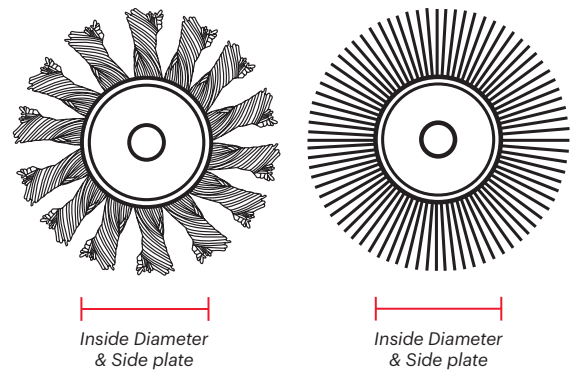
## Wheel & Bevel Brush Outside Diameter

Outside diameter (OD) is the overall diameter of the wheel or bevel brush. The diameter of the brush required will depend largely on the tool being used and the job being performed.



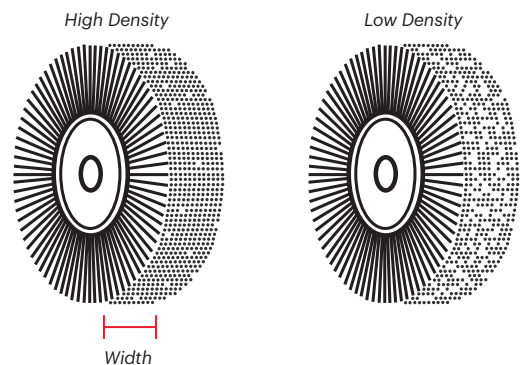
## Wheel & Bevel Brush Inside Diameter & Side plate

Inside diameter (ID) is the diameter of the side plate or flange. The ratio between the inside diameter of the brush and outside diameter of the brush will affect the trim length of the wire in the brush. A shorter trim length will result in a more densely filled brush.



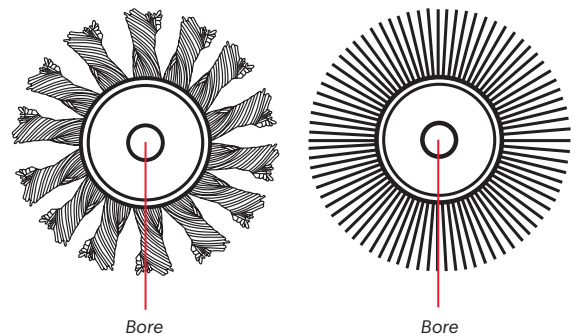
## Wheel Brush Width & Density

Width and density will have the most impact on the effectiveness of the brush. A brush with greater width and density will be more aggressive at removing material. The width of the brush refers to the distance from one edge of the brush to the other when viewed on edge (see diagram). The density of the brush refers to the number of wires in the brush, and a brush with a shorter trim length will have a higher density of wire.



## Bore & Threaded Centre

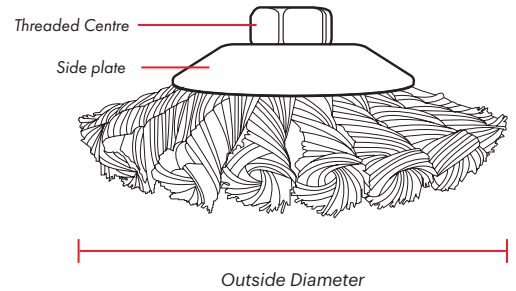
Sideplates contain a bore or threaded centre to allow the brush to be easily mounted to the tool they are being used on. Most Josco wheel brushes have multi-bore adaptors to allow them to be fitted to all bench grinders. Wheel brushes designed for use with angle grinders will have a threaded centre or bore appropriate for the shaft size of the grinder to be used.



# Brush Diagrams & Recommendations

## Bevel Brushes

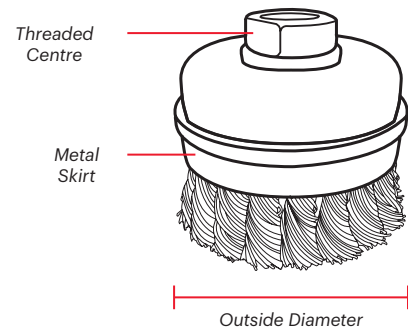
Bevel Brushes can be used on edge to get into harder to reach areas such as corners and seams, as well as on flat surfaces. The bevel also helps keep the brush away from the guard of the angle grinder.



## Cup Brushes

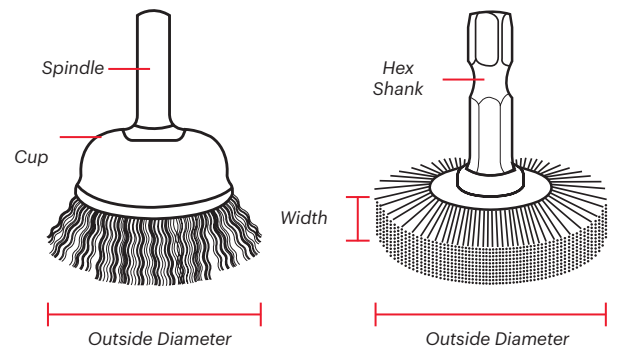
Cup Brushes are designed for use primarily with angle grinders or automated machines, and best suited to be used on flat surfaces.

**Metal Skirt:** Some cup brushes have a metal skirt, which allows the brush to have a longer trim length, extending the life of the brush. Refer to Cup Brush section for detail on how to remove the skirt.



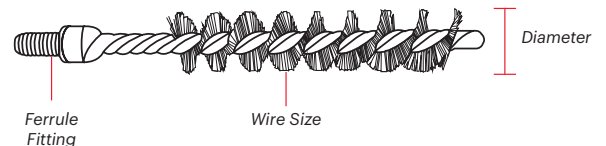
## Spindle Mounted Brushes

Designed for use in drills and die grinders, spindle mounted brushes are often used to get into tighter spaces due to their longer reach. Spindle diameter varies depending on the tool to be used. 6mm or 6.3mm(1/4") shanks are standard sizes and can be used in drills or die grinders (check speed rating), while some larger brushes require a larger diameter spindle that can only be used in drills. Hex shank spindles can only be used in drills, and many can be used with quick change adaptors.



## Tube Brushes

Tube Brushes are ideal for use when deburring or removing foreign material from the inside of pipes and tubes. The ferrule fitting allows the brush to be used with handles, extension adaptors, and drills.



# Brush Diagrams & Recommendations

## Wire Types

**Straight wire** can be used in twist knots and tube brushes. When gathered as a collection of straight wires as in hand brushes and some decarb brushes, the straight wire is more capable of getting into narrow slots and other tight spaces.

Used in many different brush configurations, the **crimped wire** is less aggressive and more flexible than the twist knot making it ideal for contoured surfaces.

*Straight Wire*



*Crimped Wire*

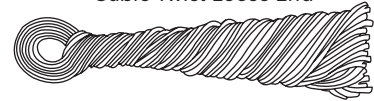


## Knot Types

### Cable Twist Loose End

A standard twist knot configuration, the knot is twisted 2/3 of its length.

*Cable Twist Loose End*



### Cable Twist Tight End

A more rigid twist knot suitable for more aggressive material removal the knot is twisted along its full length.

*Cable Twist Tight End*



### Stringer Bead

A narrower knot specifically suited for cleaning out the root welds in pipeline welding, this knot configuration is ideal for aggressively cleaning other hard to reach areas.

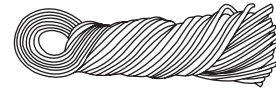
*Stringer Bead*



### Pipeline Twist

A robust knot that is twisted beyond its intended length and then trimmed to produce a very tight strong knot ideally suited to aggressive cleaning of pipeline welds.

*Pipeline Twist*



### Tiger Claw

A durable twist knot that is twisted its entire length and finished with a tiger claw twist, giving the knot more strength.

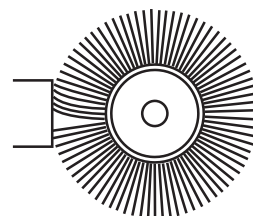
*Tiger Claw*



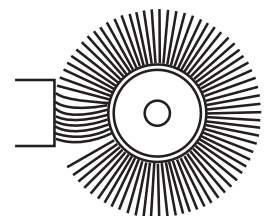
## Brushing Speed and Pressure

Recommended operating speeds vary greatly depending on the brush and its intended use. For cleaning, roughing and de-burring at high speeds, use a light pressure. For finishing, polishing and brushing at low speeds with wire, sufficient pressure may be needed to bring the sides of the wire in contact with the work. Do not exceed the brush's maximum recommended RPM.

*Correct Pressure*



*Excessive Pressure*





# Brush Diagrams & Recommendations

Desired Effect/Problem	Course of Action Advised/Solution
To cut faster	<ul style="list-style-type: none"><li>• Use a large diameter brush</li><li>• Increase RPM</li><li>• Use a brush with a heavier wire gauge</li><li>• Use a shorter trim</li></ul> <p>The trim of the brush is the free length wire protruding from the sideplates.</p>
To produce a finer finish	<ul style="list-style-type: none"><li>• Use a brush with a lighter wire gauge</li><li>• Follow up with Josco polishing mops and compounds</li></ul>
To reach all parts of an irregular surface	<ul style="list-style-type: none"><li>• Use a brush with a longer trim</li></ul>
To remove burrs	<ul style="list-style-type: none"><li>• Use a short trim wire brush</li></ul>
To produce a more even finish	<ul style="list-style-type: none"><li>• Use a holding fixture, hand operated or automatic</li></ul>

**For more information regarding brushing techniques and how-to's, refer to the resources page of the Josco website at [www.josco.com.au](http://www.josco.com.au). If you have any suggestions of videos, or more questions on how to get the best use out of your Josco brush, please contact us at [customerservice@josco.com.au](mailto:customerservice@josco.com.au) or call 1800 445 444.**

Disclaimer: All recommendations specified in the Josco Brush Catalogue are suggestions for use only. Josco will hold no responsibility for misuse of product where a specified warning is featured in the catalogue or on the products' packaging.

# JOSCO

TRUSTED BY INDUSTRY SINCE 1977

Josco's extensive product range spans across a broad range of categories:

- Wire Brushes
- Grinding & Sanding
- Cutting
- Polishing
- Cleaning & Brooms
- Hand Tools & Engineering
- Levels & Measuring Tools
- Lubrication Equipment

**For general enquiries and more information on Josco products, please contact us at:**

196 Hammond Road  
Dandenong South VIC 3175

Free Call: 1800 445 444  
Free Fax: 1800 447 388  
Email: [customerservice@josco.com.au](mailto:customerservice@josco.com.au)

**[WWW.JOSCO.COM.AU](http://WWW.JOSCO.COM.AU)**